

LT CX SERIES

COAXIAL ILLUMINATORS



WWW.OPTO-ENGINEERING.COM



LT CX SERIES MAIN FEATURES:

- Built-in electronics for illumination stability control
- Different geometries of illumination are available
- Compatible with our telecentric lens product family
- Compact and robust.
- No air fan present, to avoid any kind of noise.

GENERAL SPECIFICATIONS

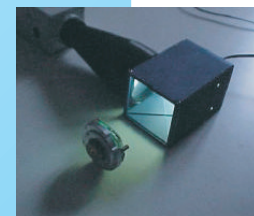
Model	Window (L x H)		DIMENSION (L x W x H)			Compatible TC Lenses
	(mm)	(mm)	(mm)	(mm)	(mm)	
LT CX 36/R	50,0	x 50,0	108	57	63	TCXX36, TC4M36, TC2M36
LT CX 36/W	50,0	x 50,0	108	57	63	TCXX36, TC4M36, TC2M36
LT CX 64/R	82,0	x 82,0	144	92	98	TCXX48, TCXX56, TCXX64, TCXX80
LT CX 64/W	82,0	x 82,0	144	92	98	TCXX48, TCXX56, TCXX64, TCXX80



Spot + coaxial illuminator

OPTICAL SPECIFICATIONS

Model	Spectrum			Illuminance			Optical Output Power	
	colour	°K	Peak wv	@ 50 mm	@ 100 mm	@ 200 mm	lumen	efficiency
LT CX 36/R	red		625 nm	4700	980	310	45	13 lm/watt
LT CX 36/W	white	5500		3300	800	250	37	9 lm/watt
LT CX 64/R	red		625 nm	4500	910	270	78	11 lm/watt
LT CX 64/W	white	5500		2800	750	210	67	9 lm/watt



90 degree bending

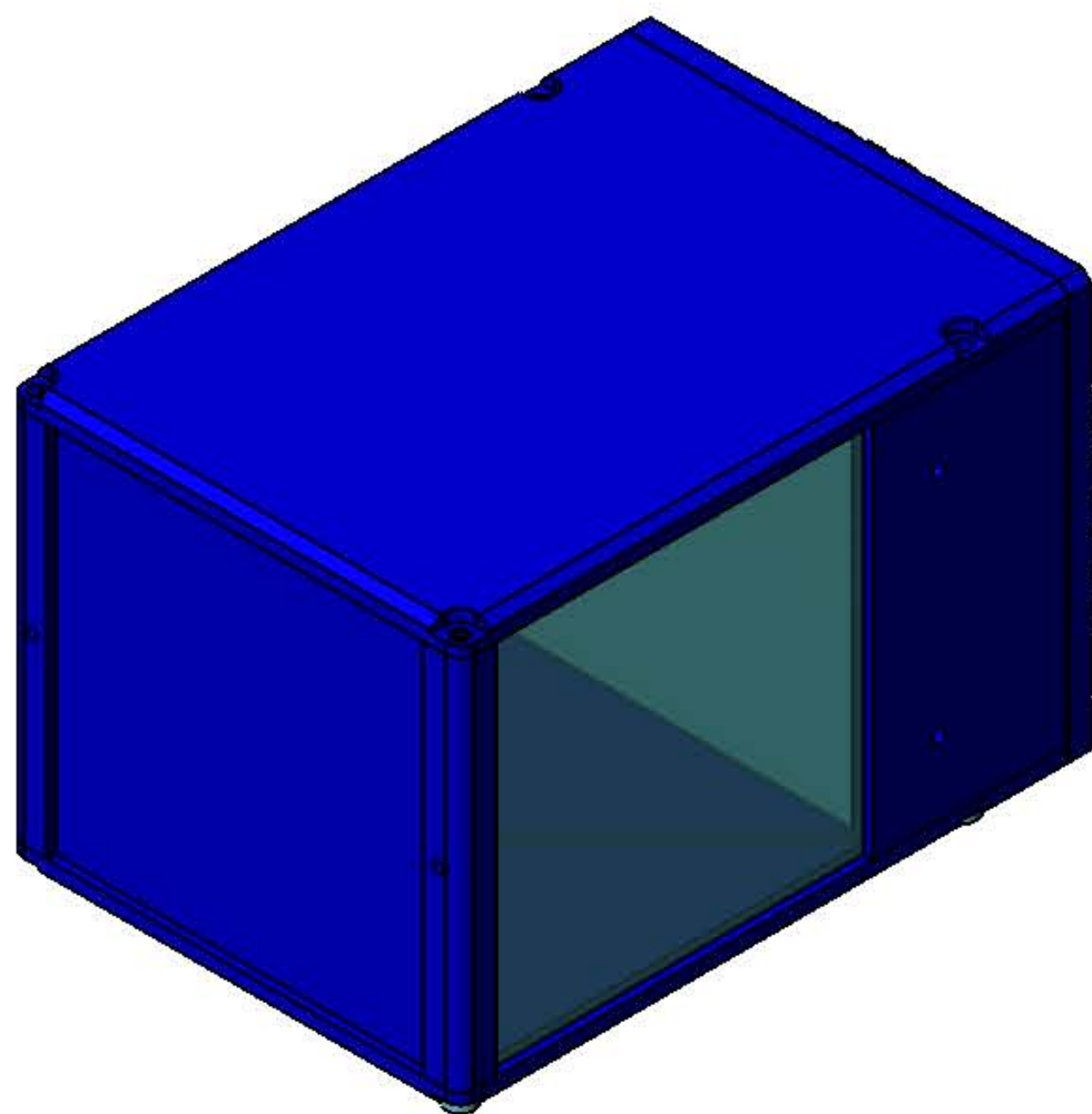
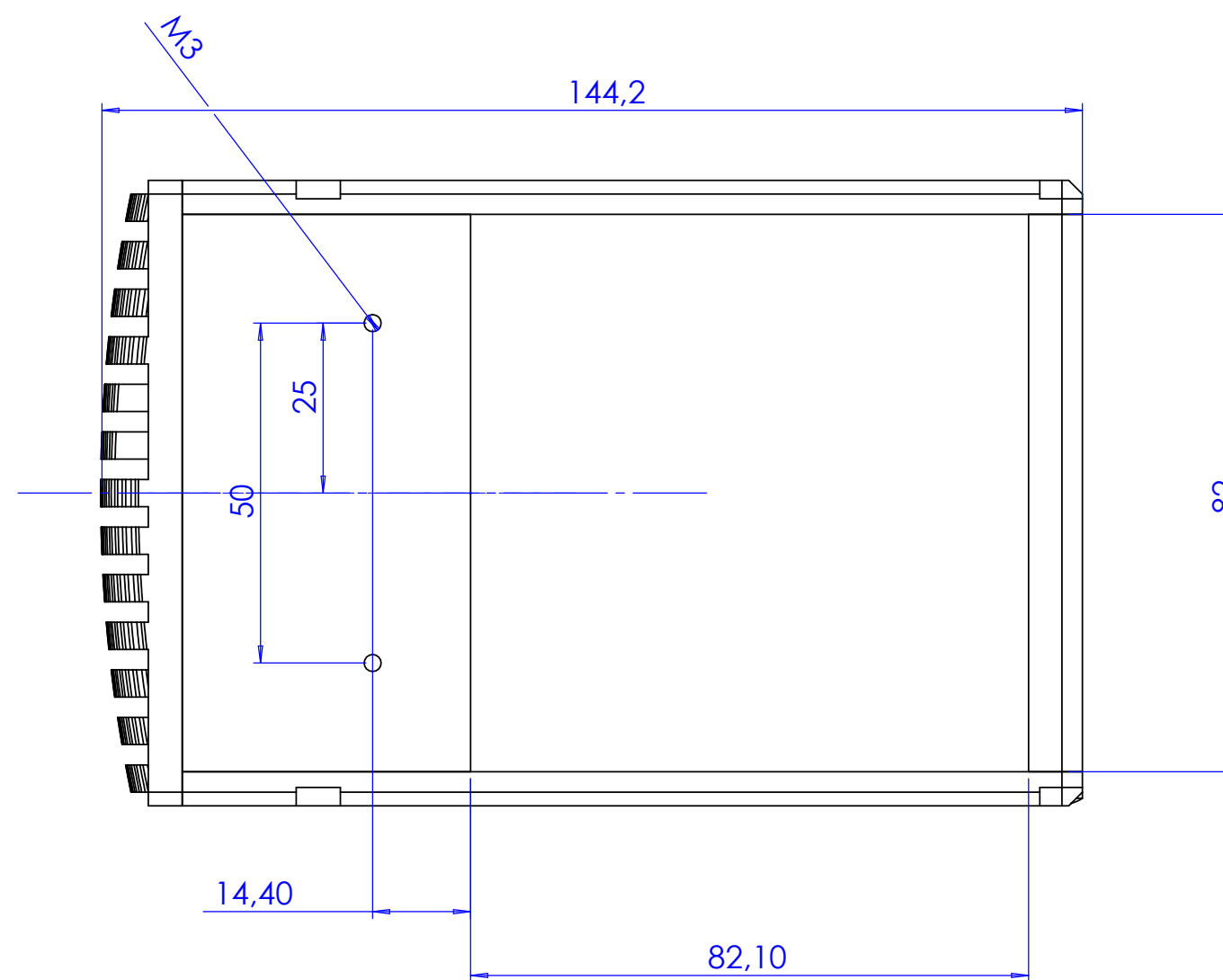
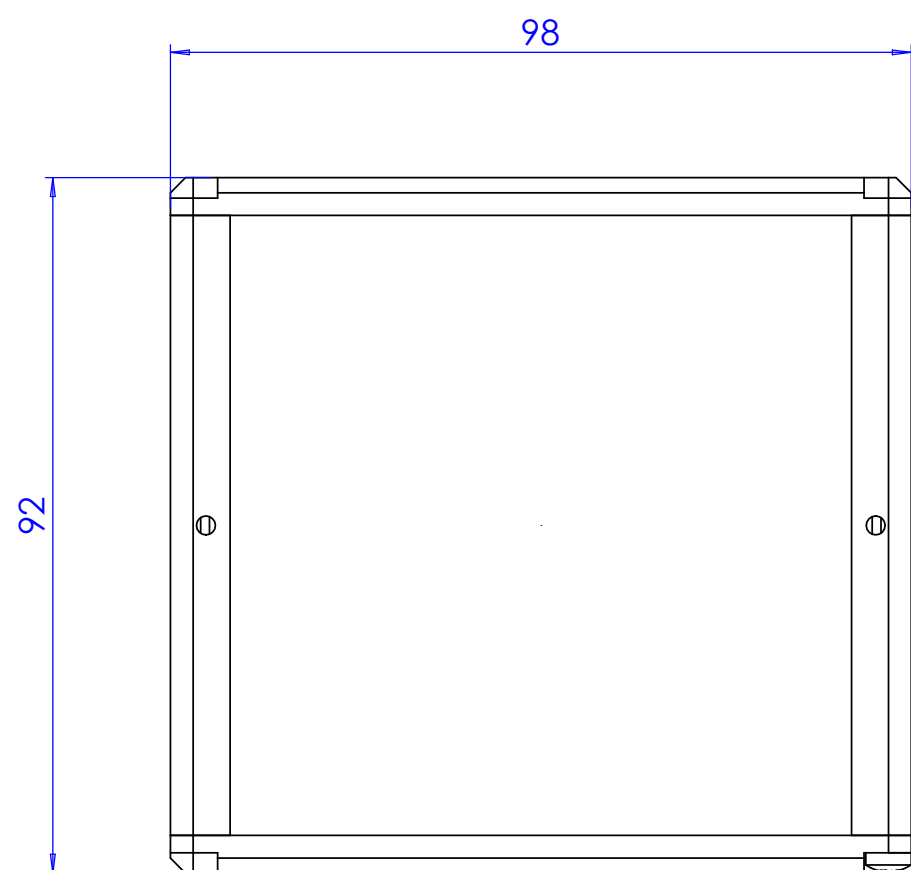
ELECTRICAL SPECIFICATIONS

Model	LED Source(s) Ratings			Power Supply Ratings			Max Pulsed Operation	
	V (V)	I (mA)	P (W)	V (V)	I (mA)	P (W)	Frequency	Duty cycle
LT CX 36/R	12,0	290	3,5	18...24		> 6 W	10 Hz	0,4
LT CX 36/W	13,6	290	3,9	18...24		> 6 W	10 Hz	0,4
LT CX 64/R	12,0	2 x 290	7,0	18...24		> 12 W	10 Hz	0,4
LT CX 64/W	13,6	2 x 290	7,8	18...24		> 12 W	10 Hz	0,4

OPTO ENGINEERING S.R.L.

VIA CREMONA, 29/2
46100 MANTOVA - ITALY
TEL: +39 (0)376 263525
FAX: +39-(0)376 262432
WWW.OPTO-ENGINEERING.COM

Rev No.	Description	Date	Name
A	Nuovo pezzo	25/05/04	A.Vismara



Material	N.A.	Mass	0.8 kg	Scale	1:1
Surface treatment	N.A.	Project-Prod.item/Instrument	LT CX 64		
Geometrical tolerance (ISO 2768-2)		Class	K	Undimensioned bevels	1x45°
Linear tolerance (ISO 2768-2)		Class	m	Undimensioned radii	R 0.5
0.5	>3+	>6+	>30+	>120	>400+
+3	6	30	120	+400	+1000
±0.1	±0.1	±0.2	±0.3	±0.5	±0.8
					±1.2
					±2
Date		Name		Drawing No.	
Designed 25/05/04		A.Vismara		OVDIM-LTCX64	
Draw 25/05/04		A. Vismara		Sheet 1/1	
Checked X		C. Sedazzari		Reproduction forbidden without specific authorization	
OPTO ENGINEERING S.r.l. - 46100 Mantova Italy - Via Cremona, 28 - Tel. +39 0376 229585 - e-mai: info@opto-engineering.it - http://www.opto-engineering.com					